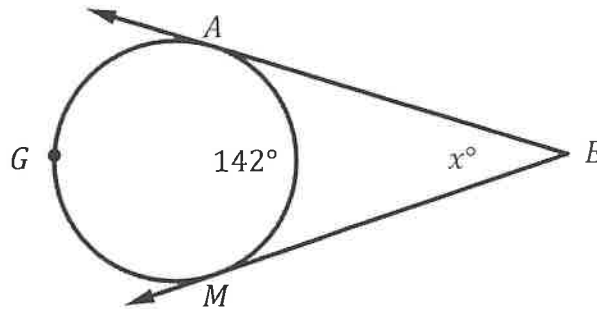


Name \_\_\_\_\_

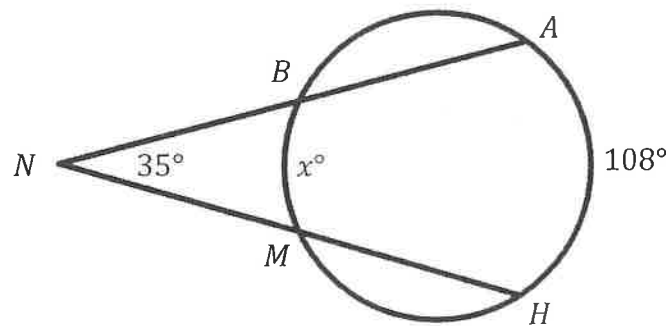
Date \_\_\_\_\_

**Circles – Part 2**  
**Circumscribed Angles and Beyond – Part 2**  
**Independent Practice**

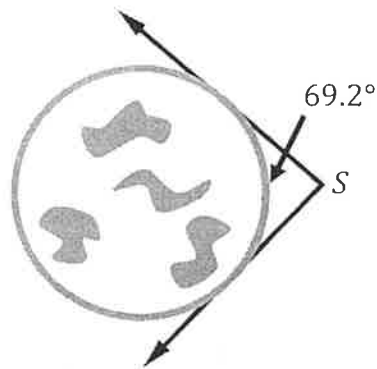
1. Determine the value of  $x$  and major arc  $\widehat{AGM}$ .



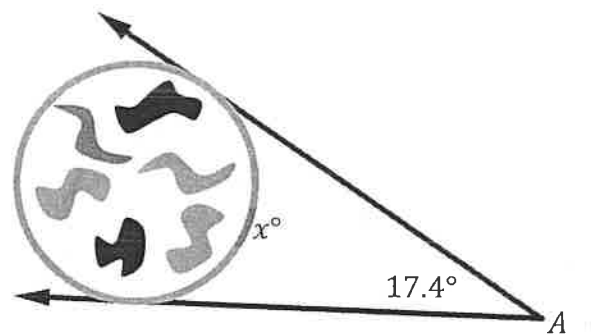
2. Determine the value of  $x$ .



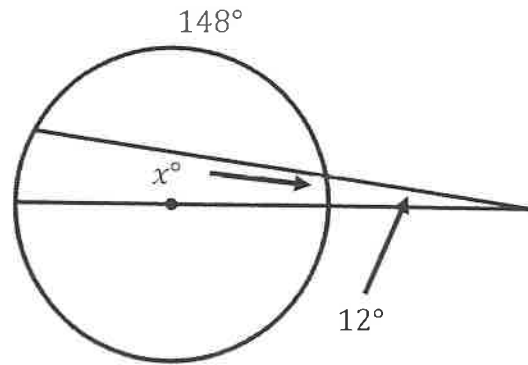
3. A lunar satellite is orbiting approximately **900** kilometers above the surface of the moon. The satellite can only see about **69.2** arc degrees of the moon is visible to the camera of the satellite. Determine  $m\angle S$ .



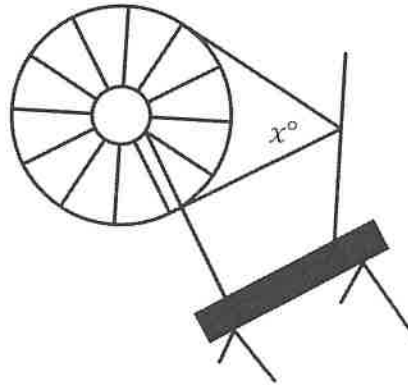
4. The New Horizons is an interplanetary space probe that approached the dwarf planet Pluto in 2015. How many arc degrees of Pluto are visible to the New Horizons space probe while approaching the dwarf planet?



5. Determine the value of  $x$  in the circle below.



6. A spinning wheel is a device for spinning thread or yarn from natural materials. A spinning wheel is a large, usually wooden, circle that is connected to a foot trundle and belt connected to a small bobbin that turns very quickly. If each spoke intercepts a  $30^\circ$  arc, then determine the value of  $x$ .



7/10

